

**This is one  
answer  
to sign  
rotation!**

...the real  
solution is  
**Signstr8™**



No more twisted signs with **Signstr8™**

**RoadSignServices.ie**  
Leaders in Passive Safety

Tel: +353 87 24 23 634

Fax: +353 1 278 8265

e-mail: [info@roadsignservices.ie](mailto:info@roadsignservices.ie)

website: [www.roadsignservices.ie](http://www.roadsignservices.ie)

ROAD SIGN SERVICES, 31 NORTH AVENUE, MOUNT MERRION, CO. DUBLIN, IRELAND

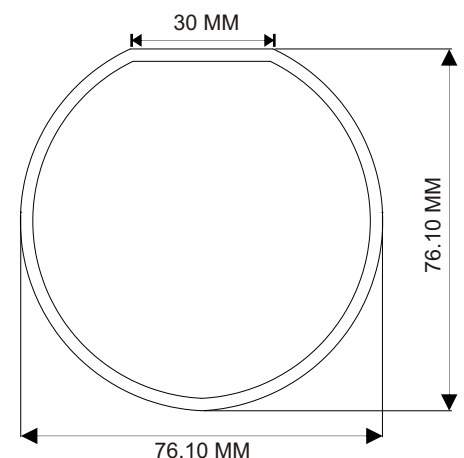
# Signstr8 signpost



- Prevents signs being rotated - no more site visits to straighten vandalised signs!
- Accepts standard clips, base plates and external caps
- Available as galvanised (to ISO 1461), coated PVC (grey or black) or painted
- Precision rolled to EN 10305-3
- Designed to BS EN 12899
- 76 mm dia x 30 mm flat
- Patent pending
- Registered design - 001840703
- Signstr8 is 'deemed to comply' with relevant passive safety standards, as the moment capacity is significantly lower than that of a standard 89 mm x 3.2mm S355 grade steel post.

## TECHNICAL

Bending capacity	$M_u$	: 2.51 kNm
Bending Stiffness	$EI$	: 85.8 kNm <sup>2</sup>
Torsional capacity	$T_u$	: 2.667 kNm
Torsion stiffness	$GI_t$	: 68.35 kNm <sup>2</sup>



ROAD SIGN SERVICES,  
31 NORTH AVENUE,  
MOUNT MERRION,  
CO.DUBLIN  
IRELAND

TEL : + 353 87 24 23 634  
FAX: + 353 1 278 8265  
e-mail : [info@roadsignservices.ie](mailto:info@roadsignservices.ie)  
website : [www.roadsignservices.ie](http://www.roadsignservices.ie)